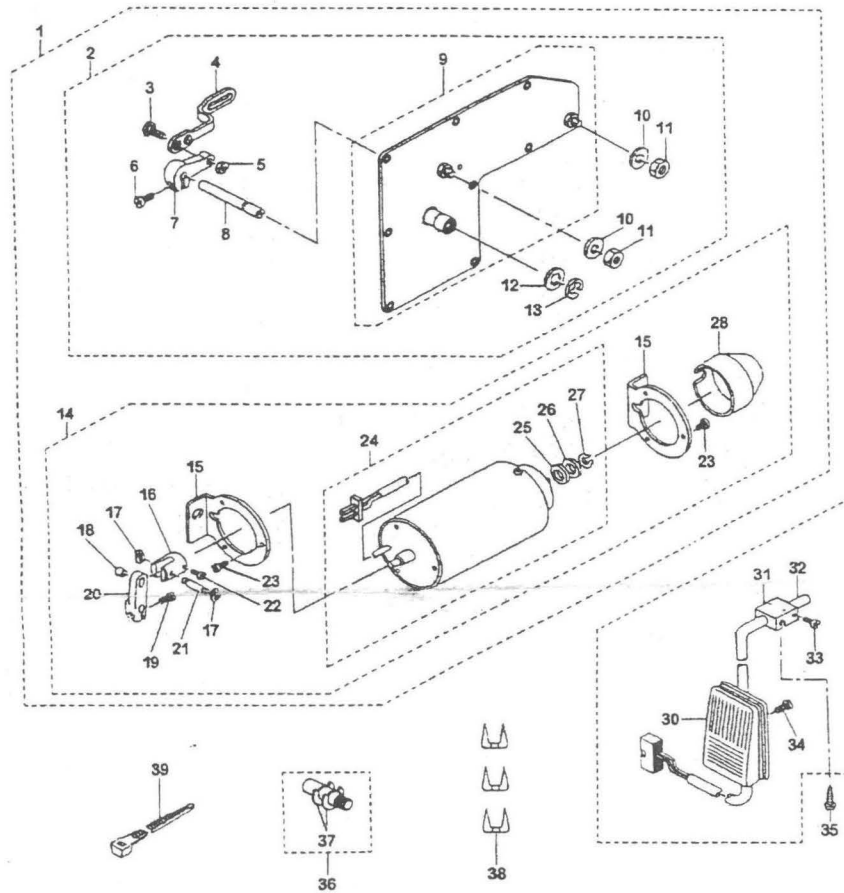


AK-88. AK-89 PARTS LIST



Auto-Lifter (Window plate-mounting type)		
AK-88	<input type="radio"/>	<input type="radio"/>
AK-89	<input type="radio"/>	<input type="radio"/>

PART NO.	DESCRIPTION	Qty
1	"AK" DEVICE ASM.	1
2	SIDE PLATE ASM. B	(1)
3	HINGE SCREW D=8 H=3.5	(1)
4	SOLENOID LINK	(1)
5	NUT 15/64-28	(1)
6	SCREW 3/16-28 L=12	(1)
7	SOLENOID ARM	(1)
8	SOLENOID SHAFT	(1)
9	SIDE PLATE ASM. A	(1)
10	WASHER	(2)
11	NUT 15/64-28	(2)
12	WASHER	(1)
13	SNAP RING 7	(1)
14	"AK" SOLENOID ASM. B	(1)
15	SOLENOID BASE	(2)
16	SOLENOID COLLAR	(1)
17	SNAP RING	(2)
18	SOLENOID PIN COLLAR	(1)
19	SCREW 3/16-28 L=12	(1)
20	SOLENOID ARM. A	(1)
21	SOLENOID PIN	(1)
22	SCREW 11/64-40 L=9	(1)
23	SCREW 3/16-28 L=9	(6)
24	"AK" SOLENOID ASM. A	(1)
25	SOLENOID RUBBER. A	(1)
26	WASHER 10.5×18×2	(1)
27	RETAINING RING	(1)
28	SOLENOID COVER	(1)
29	LIFTER KNEE SWITCH ASM. B	1
30	KNEE SWITCH ASM. A	(1)
31	KNEE SWITCH SUPPORT BASE	(2)
32	DRIVING BAR, T002	(1)
33	SCREW 15/64-28 L=11.5	(4)
34	SCREW 11/64-40 L=14	(2)
35	WOOD SCREW D=5.1 L=40	2
36	SHAFT PIN ASM.	1
37	E-RING	2
38	CORD STAPLE	3
39	CLIP	1